

Thermo Top C

Coolant Heater



Coolant Heater Features:

- Provides engine pre-heat without idling
- Uses as little as 1 Gallon of fuel in a 10 hour period
- CARB approved and EPA SmartWay verified
- Fast Return on Investment
- Full diagnostics with PC interface available
- Increases Productivity
- 17,200 BTU/h output (5 kW)

Engine pre-heat, fuel savings and emissions reduction

Compact and reliable, the Thermo Top C utilizes proven technology with millions of units currently in use. Its high output in a small package makes it the perfect solution for engine pre-heating, fuel savings and emission reduction.

Technical Specifications

	Thermo Top C
Heating Capacity	8,600 – 17,200 BTU/h (2.5 – 5.0 kW)
Fuel	Diesel #1, Diesel #2 Arctic, Biodiesel B5 & B20
Fuel Consumption	0.08 – 0.16 gal/h (0.30 – 0.61 l/h)
Rated Voltage	12 V
Operating Voltage Range	10.5 – 15 V
Rated Input	2.6 – 3.8 Amps (32 – 46 W)
Water Flow	2 gal/min at 1.9 PSI (450 l/h at 0.13 bar)
Dimensions (L x W x H)	9.125 x 4.125 x 6.4 in (232 x 105 x 163 mm)
Weight	7 lbs (3.2 kg)

Available Thermo Top C Heater Kits:

Thermo Top C Diesel Kit w/SmarTemp Control *fx* 2.0 (12 V) - PN: 5010891B

Thermo Top C Diesel Kit (12 V) - Part Number: 923369

Thermo Top C Diesel Kit w/enclosure (12 V) - Part Number: 5010087A

Standard Kit Components:

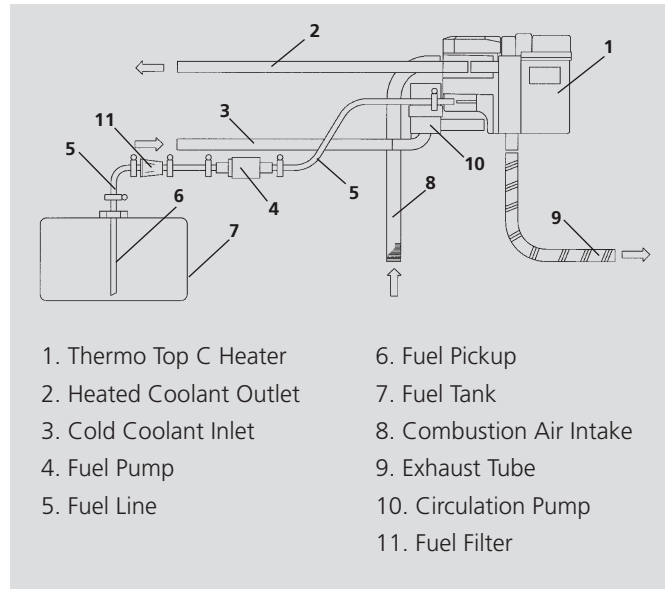
- Integrated Control Unit
- On/Off Switch
- Fuel Metering Pump w/Mounting Bracket
- Fuel Line
- Fuel Filter
- Universal Fuel Standpipe
- Exhaust Tubing
- Combustion Air Tubing
- Wiring Harness w/ Fuse Holder
- PC Interface Diagnostics
- Operation/Installation Manual
- 2 Year/2000 Hour Limited Warranty

Optional Accessories:

SmarTemp Control *fx* 2.0 - Part Number: 5010633C

Heater Mounting Bracket - Part Number: 901088

System Schematic



SmarTemp Control *fx* 2.0 (optional):

Part Number 5010633C



- Programmable runtimes
- USB diagnostics
- Ergonomical design
- Large backlit LCD screen