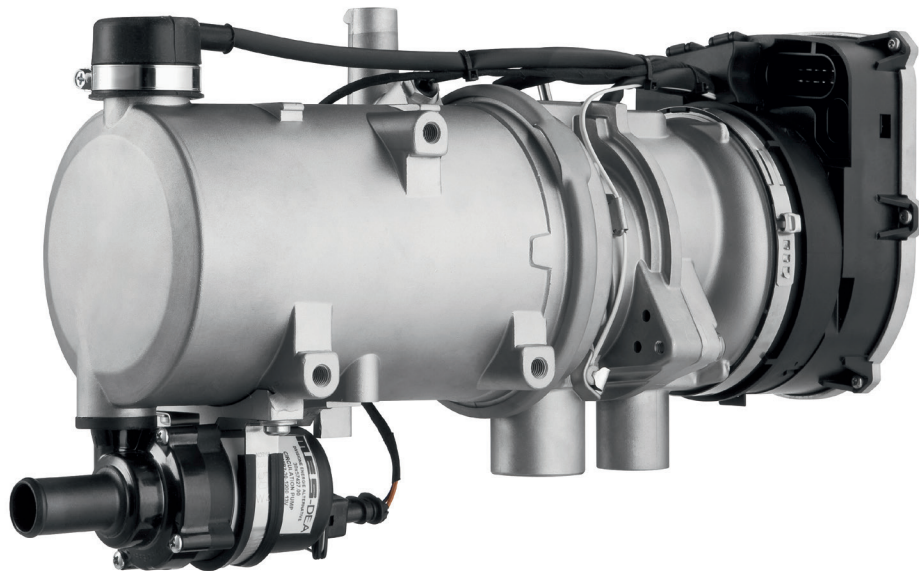


Thermo Pro 90

Engine-Off Coolant Heater for Demanding Machinery and Vehicle Applications



Coolant Heater Features:

- Auxilliary heating for heavy vehicles and machines, offering up to 31,000 BTU/h (9.1 kW) of heating power
- Arctic Start function provides quick pre-heat even in extremely cold temperatures
- Low heater power consumption due to highly efficient design
- Highest product quality with long service life
- Automatic altitude adjustment up to 11,000 feet (3,350 m)
- Available for OE and aftermarket installation
- Several mounting options available
- Quiet operation

Engine Pre-heat, Fuel Savings and Emission Reduction

The Thermo Pro 90 has been specially designed for use in heavy duty machinery and commercial vehicles, as well as in minibuses.

New features such as altitude adjustment, Arctic Start and seamless heating control provide engine-off pre-heat to make these vehicles operational in extremely cold conditions. Fuel saving and low energy consumption make a valuable contribution to both cost-savings and environmental protection.

Technical specifications

	Thermo Pro 90
Heating Capacity (Control range / Boost)	6,100 – 26,000 BTU/h / 31,000 BTU/h (1.8 – 7.6 kW / 9.1 kW)
Fuel Consumption (Control range / Boost)	0.05 – 0.23 gal/h / 0.29 gal/h (0.2 – 0.9 l/h / 1.1 l/h)
Fuels (Suitability for special fuels)	JP8, Diesel 1, Diesel 2, Arctic, Biodiesel (PME)
Rated Voltage	12 or 24 V
Power Consumption (Part load - full load / Boost)	3.1 – 6.6 / 7.3 Amps (37 – 80 W / 90 W)
Operational Temperature Range	- 40° to +176° F (- 40° to +80° C)
Dimensions (L x W x H)	15 x 5.2 x 9.1 in (381 x 131 x 232 mm)
Weight	10.8 lbs (4.9 kg)

Technical specifications for circulating pump (attached to heater)

	U4840
Coolant Flow	3 gal/min (11.4 l/m)
Dimensions (L x W x H)	7.1 x 2.9 x 4.4 in (180 x 74 x 112 mm) including connectors
Weight	1.5 lbs (0.7 kg)

Available Thermo Pro 90 Heater Kits:

Thermo Pro 90 Compact Kit (12 V): Part Number 5010874A

Thermo Pro 90 with Enclosure Box (12 V): Part Number 5010872A

Thermo Pro 90 Compact Kit (24 V): Part Number 5011081A

Thermo Pro 90 with Enclosure Box (24 V): Part Number 5010873A

Standard Kit Contents:

- Heater
- Integrated Control Unit
- Fuel Metering Pump DP42
- Circulation Pump U4840
- On / Off Switch
- Wiring Harness
- Fuel Standpipe
- Fuel Line
- Exhaust System
- Installation Hardware
- Installation/Operation Instructions
- 2 Year / 2,000 Hour Limited Warranty

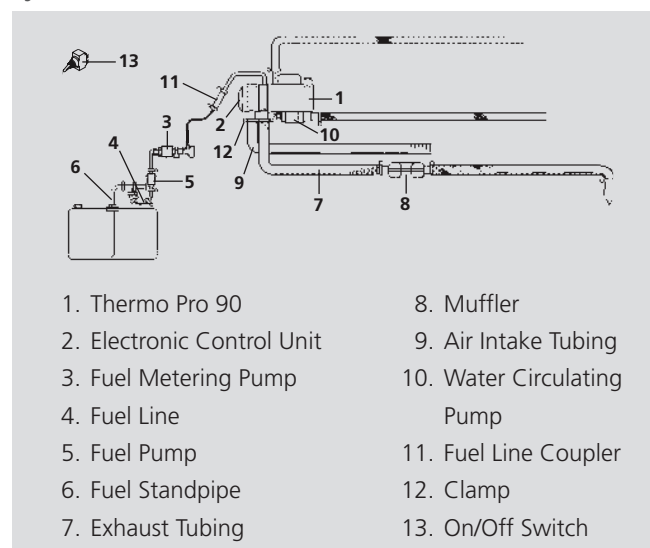
Optional Accessories:

SmarTemp Control fx 2.0 Timer: Part Number 5010633C

Heater Mounting Bracket: Part Number 905838

- (For perpendicular heater installation)

System Schematic



SmarTemp Control fx 2.0 (optional):

Part Number 5010633C



- Programmable runtimes
- Ergonomical design
- Large backlit LCD screen