

FORCED AIR DIESEL HEATER

PLANAR 2D



Forced air diesel heater PLANAR 2D is designed for providing instant heat to the interior of any type of the vehicles, boats, and motorhomes.

- With the air heater PLANAR 2D you can reduce cost of fuel in compliancy with “no idling zone” regulations
- The air heater PLANAR 2D is a great way to extend your boating season: for boats up to 25’ long
- Efficient performance and quiet operation
- Each heater comes with installation kit
- 2-year warranty on parts and labor

Forced air diesel heater PLANAR 2D

- Operates on diesel and 12V or 24V power independently from engine
- Consumes 1 liter of fuel for up to 5 hours of operation
- Generates 7,000 BTU/h with a strong air flow
- Fully automated temperature control
- Self-diagnostic system
- Compact design and “plug-and-play” installation

www.PlanarHeaters.com

PLANAR 2D

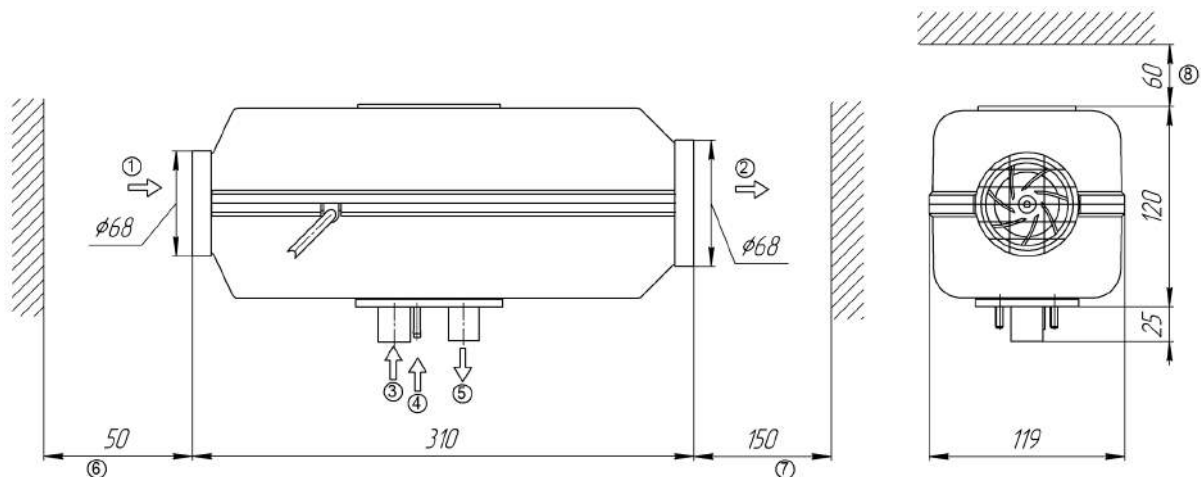
TECHNICAL SPECIFICATIONS



Standard kit includes:

- Air heater PLANAR 2D -12 (or -24)
- Metering fuel pump with fuel lines and wire harness
- Control panel:
 - automatic temperature control
 - various settings
- Wire harness assembly
- Exhaust flexible pipe, stainless
- Combustion air intake silencer
- Set of fasteners and hardware
- Instruction manual

PLANAR 2D	
RATED VOLTAGE	12V or 24V
FUEL	DIESEL
HEATING CAPACITY	2,700 - 7,000 btu/h (0.8 - 2.0 kW)
AIR FLOW RATE	20 - 44 ft ³ /m (34 - 75 m ³ /h)
FUEL CONSUMPTION	0.02 - 0.06 gal/h (0.24 l/h)
EL. POWER CONSUMPTION	0.8 - 2.42 A
WEIGHT	6.6 lbs (3.0 kg)
DIMENSIONS (L x W x H)	12.2 x 4.7 x 4.7 in (310 x 119 x 120 mm)



1. Heating air intake
2. Heating air outlet
3. Combustion air intake
4. Fuel supply

5. Exhaust gas outlet
6. Required gap at heating air intake, min. 50mm
7. Required gap at heating air outlet, min. 150mm
8. Required gap for technical maintenance, min. 60mm

PLANAR MARINE and TRUCK AIR HEATERS Ltd.

109-18635 52 Ave.
Surrey, BC V3S 8E5
Phone: 1 (604) 372-3222
Toll free: 1 (844) 259-8591

www.PLANARHEATERS.COM

Contact your local dealer: